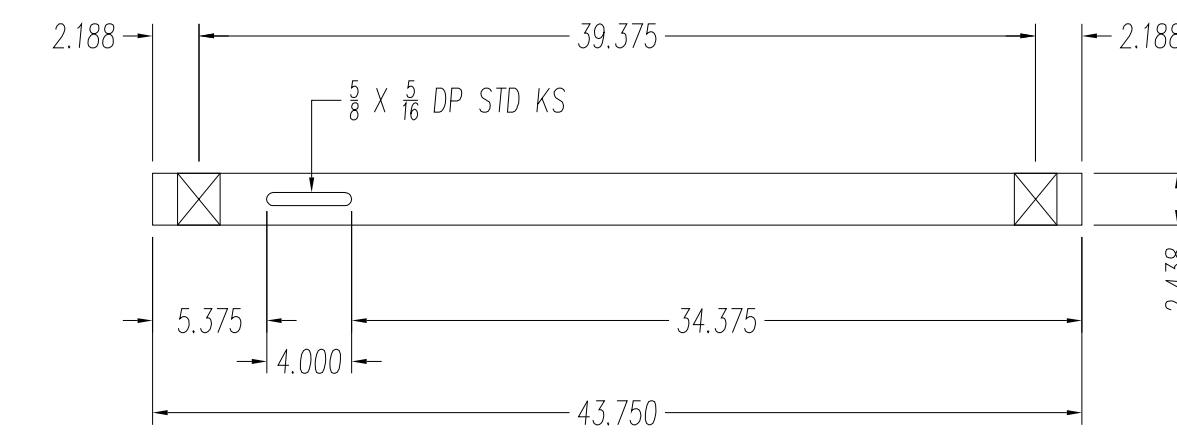
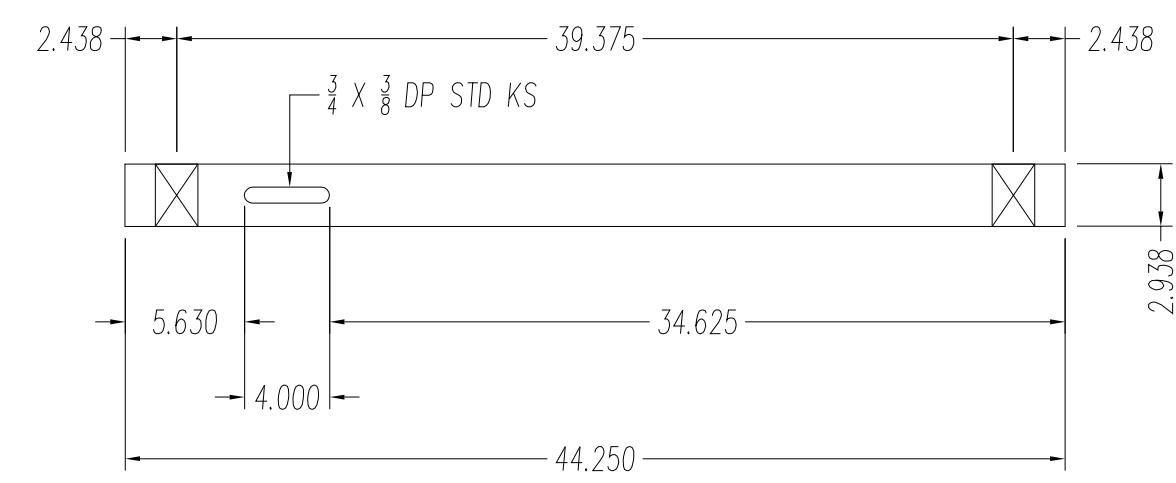
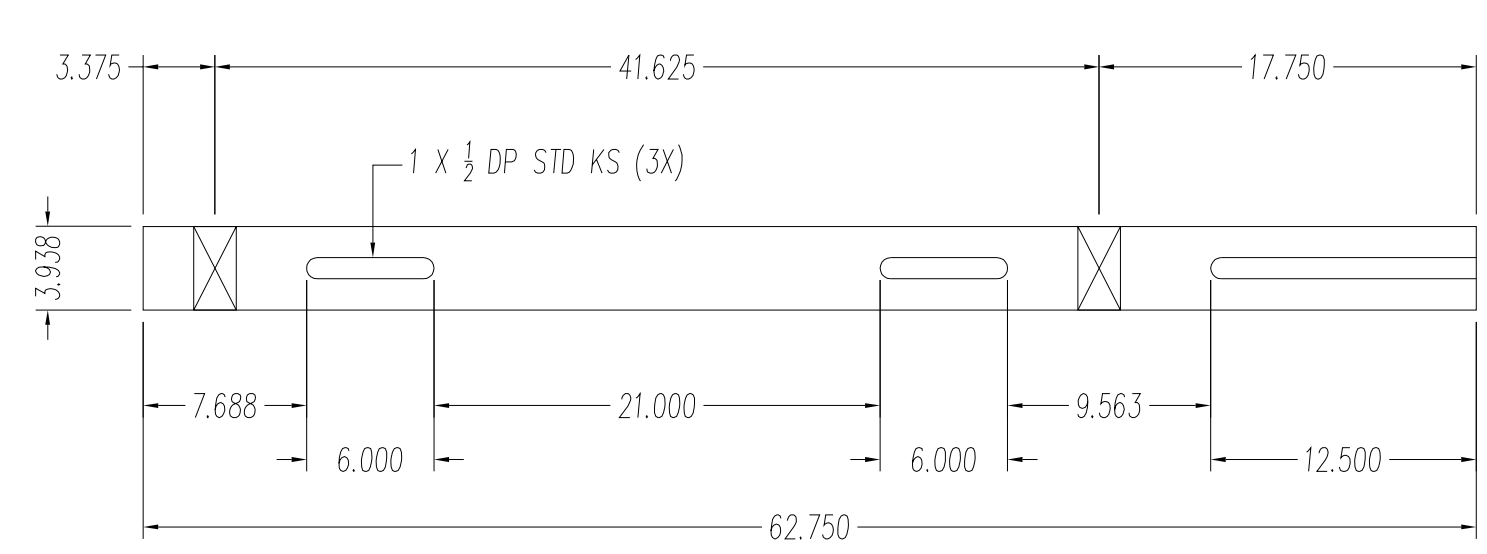
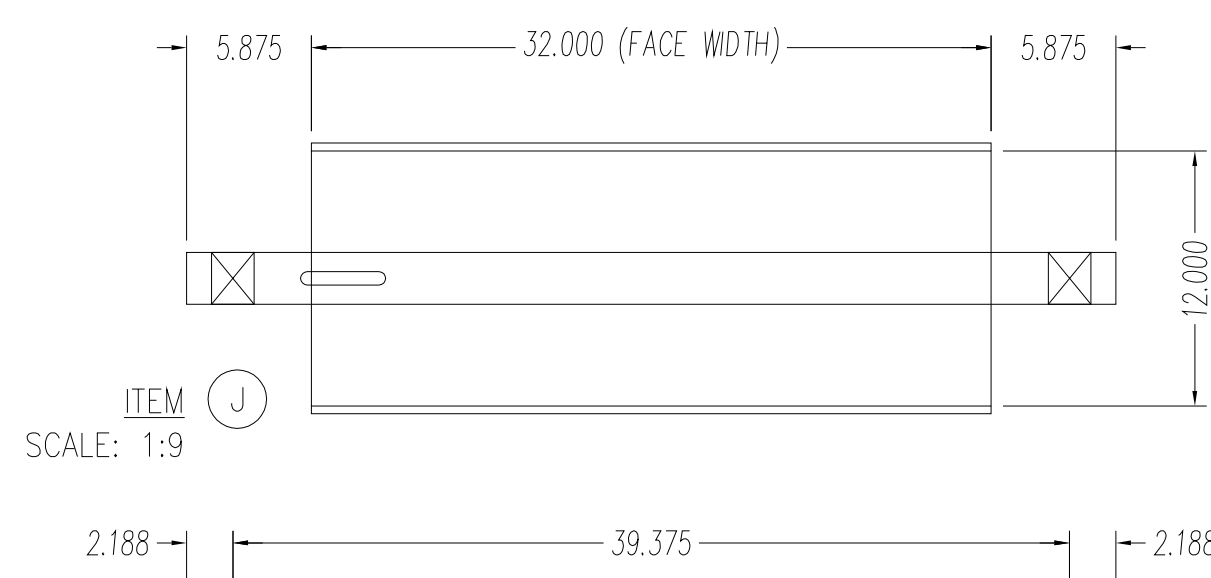
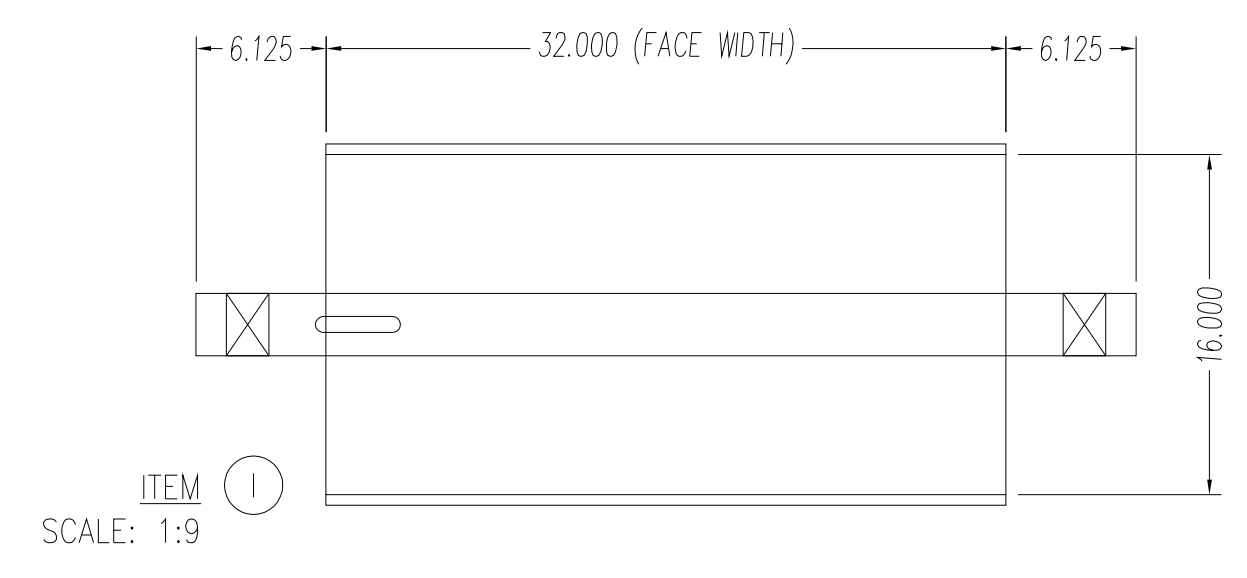
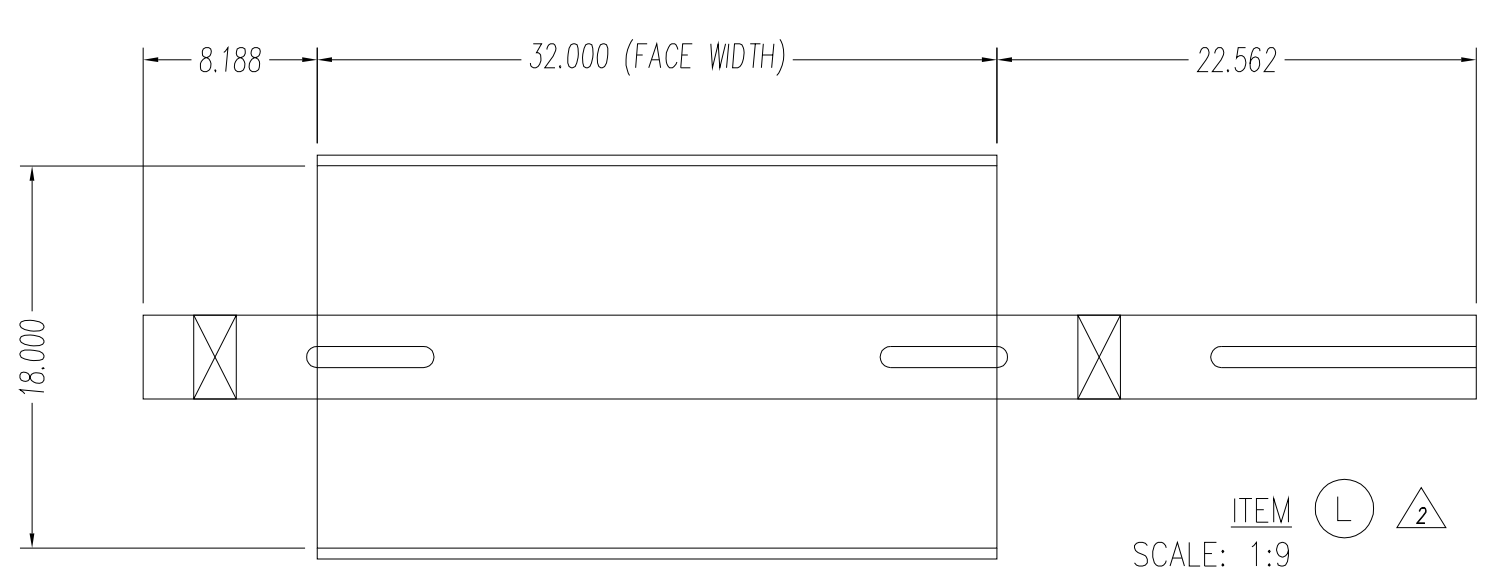
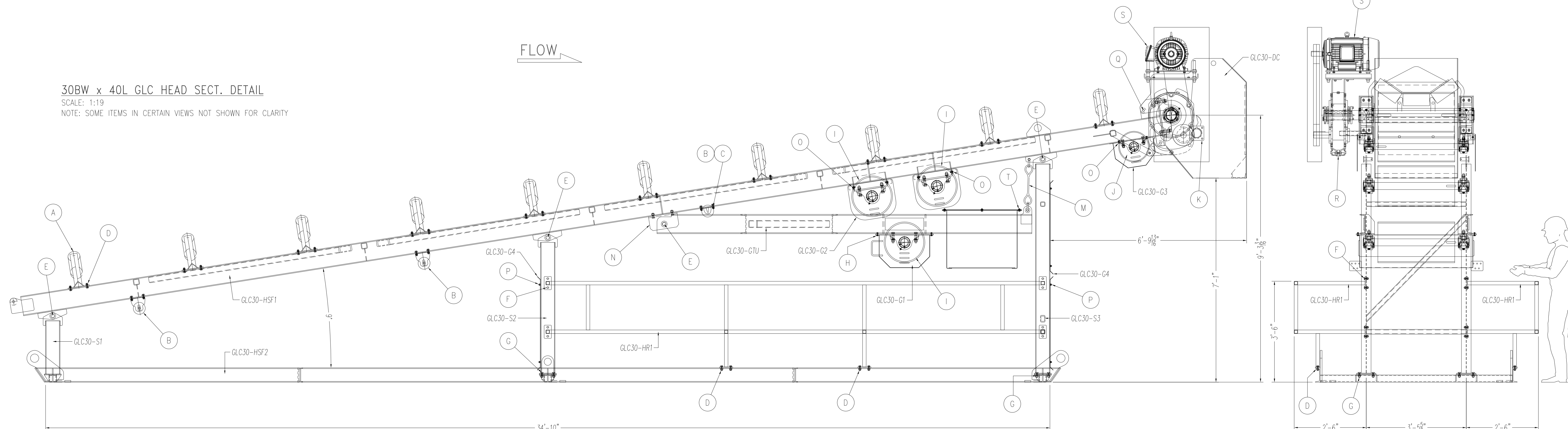


30BW x 40L GLC HEAD SECT. DETAIL

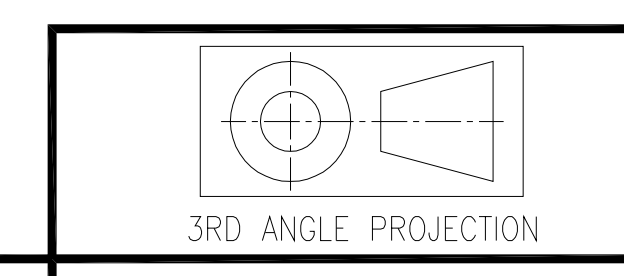
SCALE: 1:19
NOTE: SOME ITEMS IN CERTAIN VIEWS NOT SHOWN FOR CLARITY

FLOW



REV	BY	DATE	DESCRIPTION
2	JY	10/06/16	REVISE ITEM-L LGTH.

TOLERANCES, UNLESS OTHERWISE SPECIFIED.	
MACH./TOLERANCES	FAB./TOLERANCES
.XX ± .002	± 1/16 TO 120"
.XX ± .01	± 1/8 OVER 120"
FRACTION ± 1/64	ANGLES ± 1'
ANGLES ± .5'	



TRIO
TRIO ENGINEERED PRODUCTS, INC.
16425 BEAVER RD
ADELANTO, CA 92301
PHONE: 760-246-4454
FAX: 760-246-6275

CUSTOMER: C5-C7-C16		P/N# /	
TITLE: TRIO GLC 30BW X 40L HEAD SECTION ASSEMBLY G/A			
DRAWN BY: JY	DATE: 08/03/16	DRAWING NUMBER: 125-0253-01	REV. 02
SCALE: AS NOTED	SHEET: 1 OF 7		

DRAWING SCALE IS FOR REFERENCE ONLY. DO NOT SCALE PRINT FOR FABRICATION PURPOSES.
CHECKED BY: PG DATE: 08/03/16